



### CKS600 aluminium housing

- ✓ made entirely in aluminium
- ✓ weatherproof rating IP66
- ✓ wall, ceiling, pole, corner mounting
- ✓ slide opening system
- ✓ easy fastening and positioning

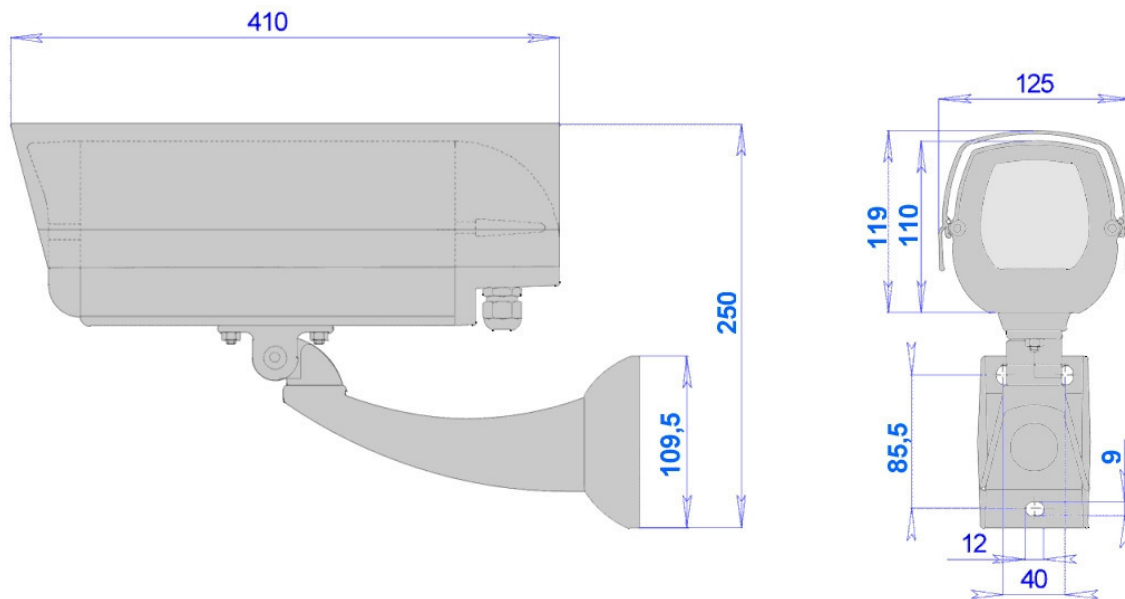


#### Aluminium housing

The housing model **CKS600** made entirely in aluminium combined to high quality materials and pleasant design make a product highly qualified for CCTV installation. Available there are a wide range of accessories: cameras power supply, ventilation set, anti-tampering set, anticondensing glass, antibreaking glass, etc. Suitable for most 1/2" 1/3" and 1/4" cameras with fixed focal lenses or compact zoom.

# - DATA SHEET -

## camera housing



the values are in millimeters

### TECHNICAL DATA

#### GENERAL

- body and sunshield made in aluminium
- painted with polyester powder RAL 7035 (light grey)
- stainless steel bolts and screws
- with silica-gel (anticondensing salt) and allen keys for opening
- extractable slide-out unit with looking system
- heater
- wide range of accessories
- supplied with instruction manual
- according to RoHS compliance

#### ELECTRICAL

- heater 230-110-24-12 Vac  
consumption max. 30W  
t on 15°C t off 22°C +/- 3°C
- ventilation 230Vac, 24Vac, 12Vac  
consumption max. 1W  
t on 37°C t off 27°C +/- 3°C
- power supply AL600/... :  
AL600/A 230Vac -12Vdc 400mA  
AL600/B 230Vac -24Vac 400mA  
AL600/C 230Vac -12Vdc 1A

#### MECHANICAL

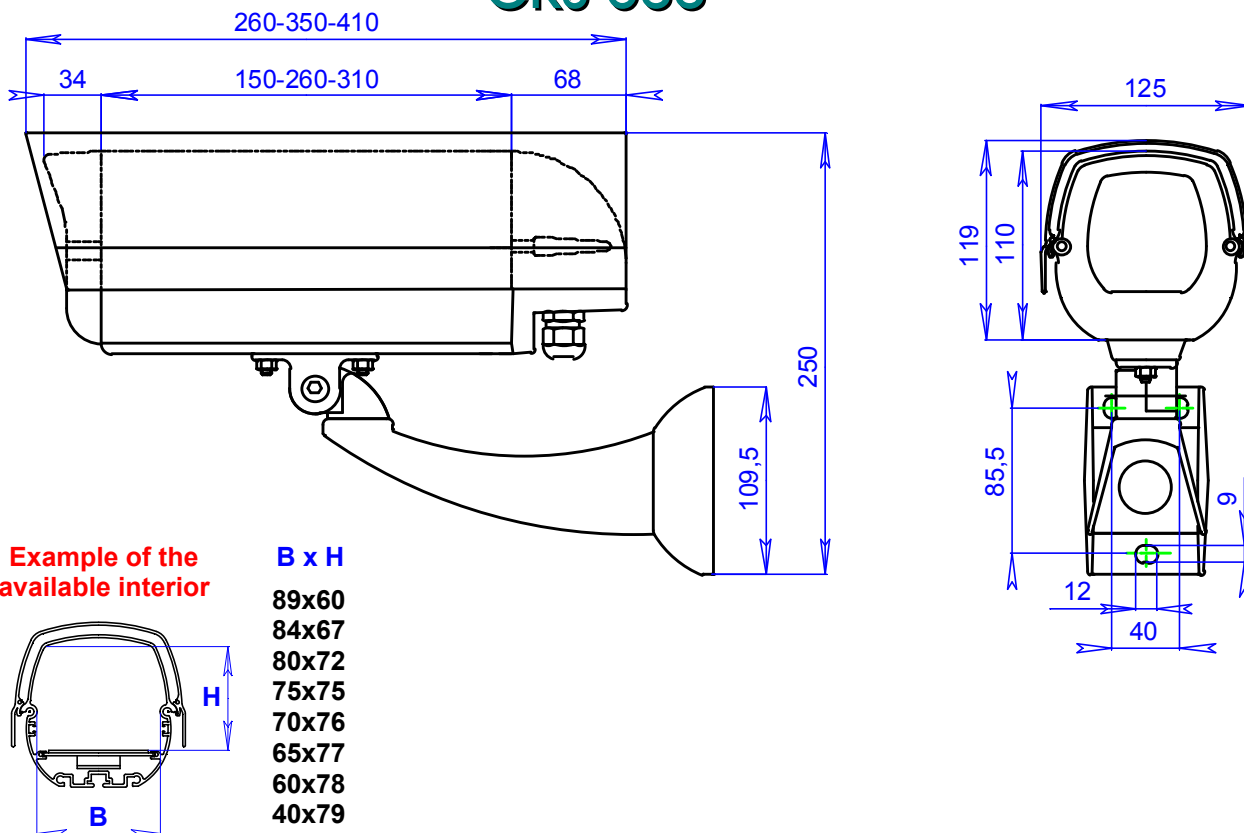
- Usable internal space 80x72mm (WxH)  
length 150-260-310mm.
- weatherproof rating IP66
- indoor/outdoor installations
- operating temperature from -20°C to +50°C
- weight 3 Kg. (version 260mm KIT)

#### RELATED PRODUCTS

- ST5500** ceiling bracket
- SP/A** pole adaptor
- SA/A** corner adaptor
- PA1** reinforcing support plate
- PA1/SD** reinforcing support plate in weatherproof box
- PS1** external power supply 230/12Vdc 400mA and 12Vac.
- PS2** external power supply 230/12Vdc 400mA
- PS3** external power supply 230/24Vac 400mA

Specifications are subject to change without notice, weights and dimensions are indicative.

## CKS 600



### Homologated according to the European Directives as regards the EC marking

- ❑ **Body and sunshield** Extruded aluminium coated with polyester powder RAL 7035 (light grey)
- ❑ **Front cover** coated aluminium RAL 7035 (light grey).
- ❑ **Back cover** There are no.1 PG11 gland and no. 2 PG9 glands.
- ❑ **Bracket and joint (ST500)** Coated aluminium RAL 7035 (light grey)
- ❑ **Heater (RS600)** Obtained thanks to a 30W PTC (the consumption is self-adjusting according to the external temperature).  
Available electrical voltage: 230V-110V-24V-12V.  
Operating temperature: switching on at 10°C and switching off at 20°C.
- ❑ **Ventilation (VN600)** Obtained thanks to a 40x40x20 mm minifan.  
Operating temperature: switching on at 35°C and switching off at 30°C.

**Accessories upon request** anticondensing glass (VC600), antibreaking glass(VA600), passage of the cable protected by a sheath d. 16 mm PG600), power supply (AL600/A e AL600/B), strengthened heating, anti tampering system (TP600).

#### Technical notes:

- Equipped with Allen keys and silica-gel.
- All the screws of the housing (body, bracket and joint) are made of stainless steel.



phone +39.(0)445.396190



fax +39.(0)445.395000